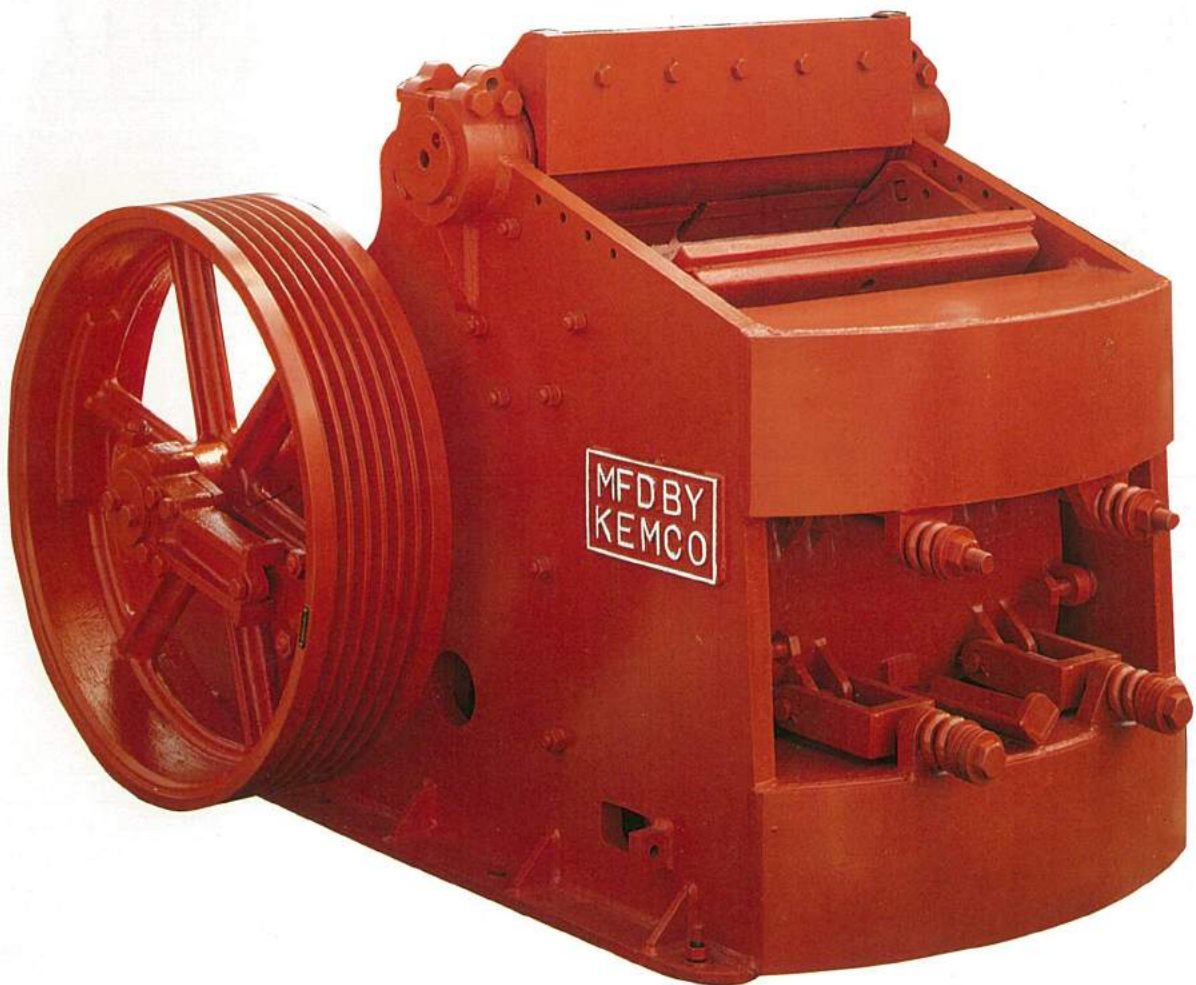


KEMCO CRUSHERS

Double Toggle Jaw Crusher



LOW COSTS-HIGH EFFICIENCY

Conventional type single and double toggle jaw crushers whilst operating successfully have high wear and operating costs.

These costs are increased when crushing the highly abrasive and tough materials now conventionally used in road building.

The jaw and jaw plate design results in rubbing and high wear.

THE KEMCO DOUBLE TOGGLE JAW CRUSHER includes features which reduces considerably wear on jaw plates and power requirements.

Other important features are as follows : —

- (1) The product is cubical and well graded.
- (2) The design of the jawplates prevents choking in the crushing chamber.
- (3) Adjustment of the crusher setting.
- (4) Totally enclosed lubrication system results in low maintenance.
- (5) Damage through entry of foreign matter into the crusher chamber is prevented by a suitable safety device.

Conventional single & double toggle jaw crusher.

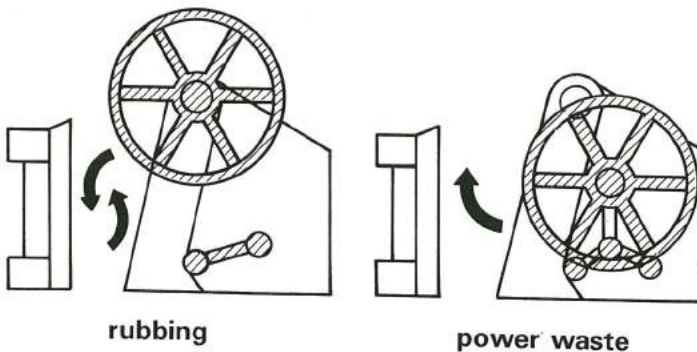
Two large wheels

(more power / more weight)



Single

Double



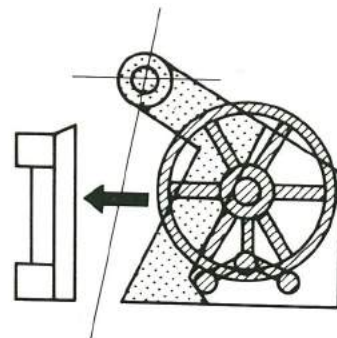
KEMCO double toggle jaw crusher.

One simple flywheel

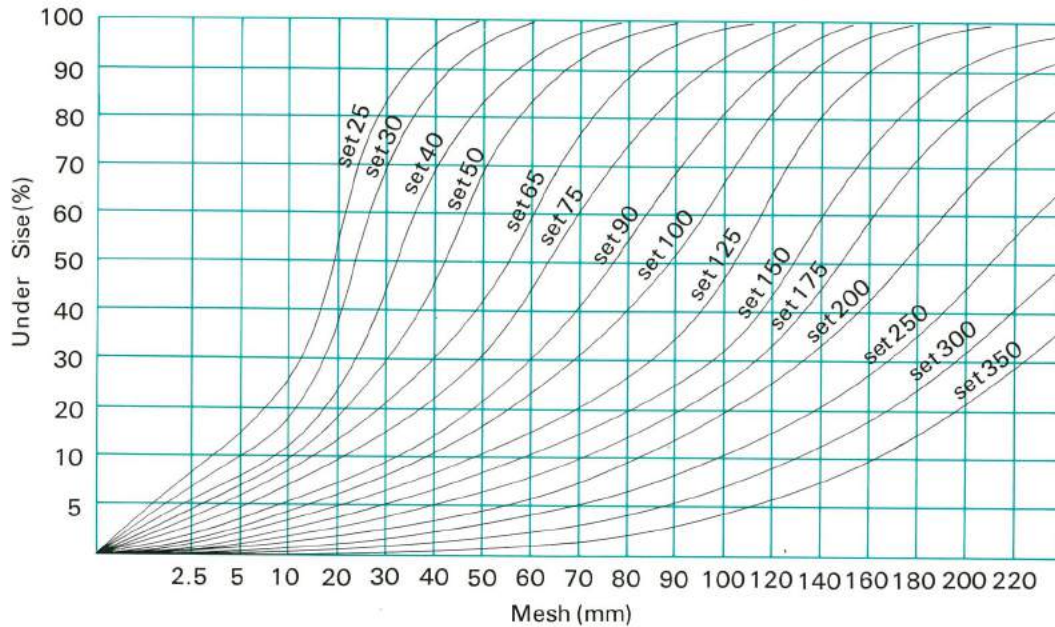
(less power / lower weight)



Less rubbing more wear life



SPECIFICATION



Capacity of KEMCO Double Toggle Jaw Crusher

Model	Feed Opening (cm)(inch)	Crushing Capacity mm (setting at closed side)														power Kw	r.p.m	weight (kg)
		25	30	40	50	65	75	90	100	125	150	175	200	250	300			

Coarse Type T/H

C-95	914×609 36"×24"					70	97	108	134									45	325	12,250
C-120	1056×760 42"×30"						100	155	180	203	225	247						75	300	19,300
C-160	1219×1056 48"×42"							175	225	270	320	360	450	540				130	275	49,000
C-200	1524×1219 60"×48"									270	405	450	540	630	810			175	220	69,400

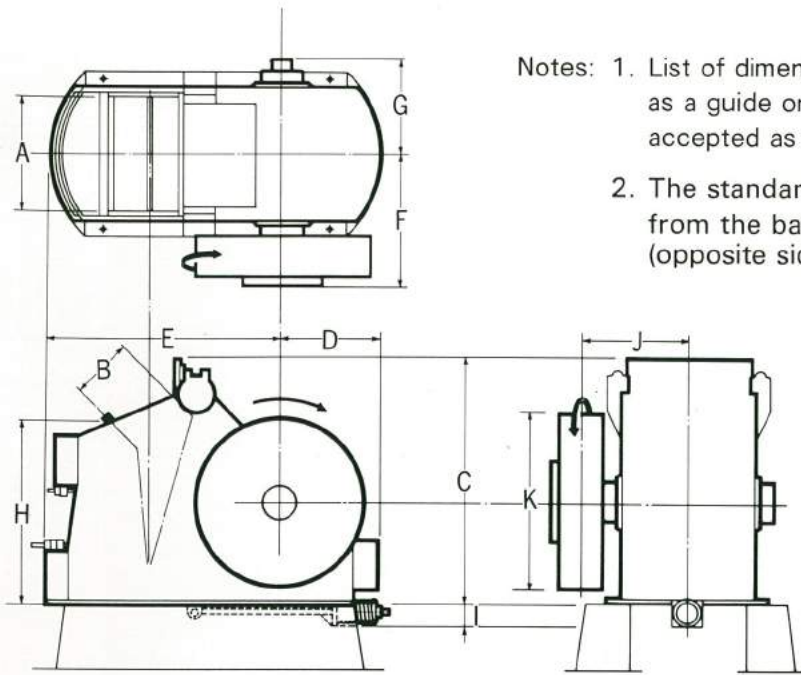
Medium Type T/H

M-70	760×350 30"×15"			24	42	52	60											30	350	7,900
M-110	1056×406 42"×16"				95	110	125	140	165									75	300	12,900
M-140	1219×406 48"×16"				120	140	160	180	200	250	300							95	275	23,200

Fine Type T/H

F-80	914×254 36"×10"	40	45	55	70	80	90											37	350	7,400
F-81	914×305 36"×12"		45	55	70	80	90											37	350	7,400
F-105	1056×254 42"×10"	42	50	60	78	90	100											55	350	8,500
F-106	1056×305 42"×12"		50	60	78	90	100											55	350	8,500

- Notes:
1. The above crushing capacity is average for rock with a specific gravity of about 1.6.
 2. The above crushing capacity may vary depending on the crushing characteristics of the material being crushed.
 3. The above setting is the closed side (when jaws discharge opening is smallest)
 4. To obtain maximum efficiency do not operate on large reduction ratios or with crusher setting shown lower than those indicated below the blue line in the table.
 5. This chart is based on the assumption that 85% of the product will be minus the closed side setting due to the great difference in crushing characteristics of the rocks this percentage figure will vary with very slabby material the percentage figure may drop to 55-60%. This factor must be taken into consideration when using the chart.



- Notes: 1. List of dimensions gives approximate sizes only and serve as a guide only for plant arrangement. They should not be accepted as the actual dimensions.
2. The standard drive pulley is on the right side viewed from the back of the crusher. (opposite side shown in the illustration)

KEMCO Double Toggle Jaw Crusher Dimension

Model	Feed Opening A × B (cm) (inch)	Dimension Table (m/m)											VEE BELT Type × No × Length
		A	B	C	D	E	F	G	H	I	J	K	

Coarse Type

C-95	914 × 609 36" × 24"	914	609	2235	785	1830	785	1015	1550	150	785	1142	D × 6 × 230"
C-120	1056 × 760 42" × 30"	1066	762	2770	840	2235	865	1065	1905	150	840	1142	D × 8 × 230"
C-160	1219 × 1056 48" × 42"	1219	1066	3785	1195	2895	990	1420	2920	50	1145	1542	D × 10 × 285"
C-200	1524 × 1219 60" × 48"	1524	1219	4140	1245	3325	1195	1725	3250	75	1320	1675	D × 11 × 325"

Medium Type

M-70	760 × 380 30" × 15"	762	381	1625	685	1525	710	865	1220	125	660	1120	D × 6 × 230"
M-110	1056 × 406 42" × 16"	1066	406	2058	838	1899	864	1067	1435	127	838	1142	D × 8 × 240"
M-140	1219 × 406 48" × 16"	1219	406	2043	1178	2436	1016	1422	1506	135	1114	1542	D × 19 × 285"

Fine Type

F-80	914 × 254 36" × 10"	914	254	1558	761	1474	759	988	1195	144	789	1142	D × 6 × 230"
F-81	914 × 305 36" × 12"	914	304	1558	766	1474	759	988	1195	144	789	1142	D × 6 × 230"
F-105	1056 × 254 42" × 10"	1066	254	1633	811	1756	820	1083	1043	126	839	1142	D × 6 × 230"
F-106	1056 × 305 42" × 12"	1066	304	1633	811	1756	820	1083	1043	126	839	1142	D × 6 × 230"